

# MANUALLY-OPERATED 4-WAY AIR VALVES



## Push/Pull Valves



Push/Pull spool valves 4-way configurations. The Detent version maintains spool position by friction, while the Momentary spring returns to the home position.

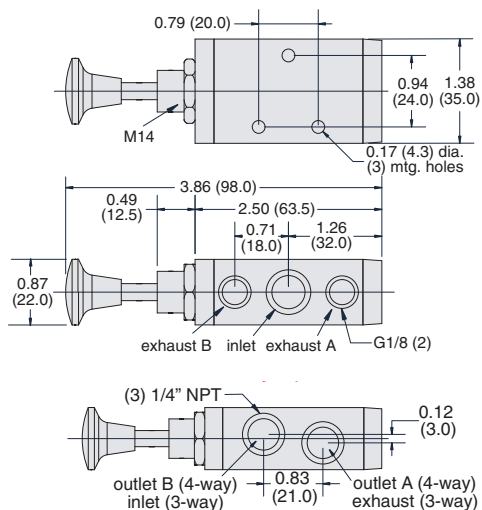
**Operating Pressure:** 0 to 115 psig      **Cv:** 0.89

**Ports:** 1/4" NPT, 1/8" NPT exhaust

**Operating Temperature:** 32 to 140°F (0 to 60°C)

**Mounting:** Panel or base mount

Part No.	Description
<u>MMV-P4QD</u>	4-Way, 5 Port Detented Push/Pull Valve
<u>MMV-P4QM</u>	4-Way, 5 Port Momentary Push/Pull Valve



## Lever Valves

Lever valves are 4-way spool valves with 1/4" NPT ports. They have either a Detented or Momentary manual operation.

**Operating Pressure:** 0 to 150 psig

**Cv:** Detented: 1.0  
Momentary: 0.89

**Port Size:** 1/4" NPT

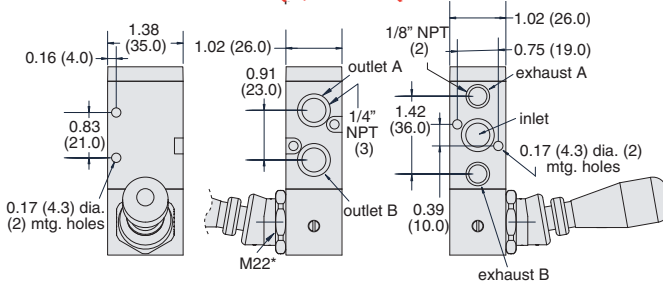
**Operating Temperature:** 32 to 140°F (0 to 60°C)

**Mounting:** Panel or base mount

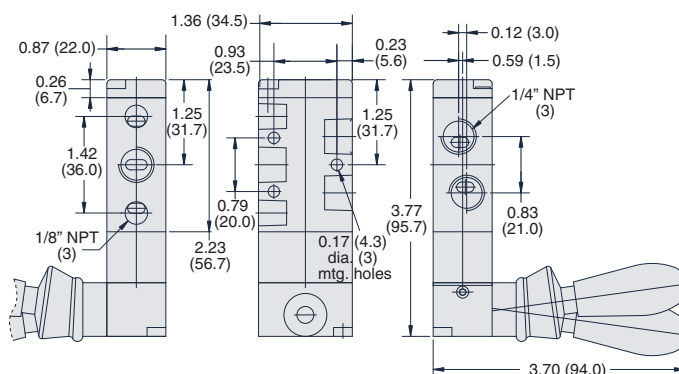


Part No.	Description
<u>MMV-L4QD</u>	4-Way, 2-Position Detented Valve
<u>MMV-L4QM</u>	4-Way, 2-Position Momentary Valve
<u>MMV-L4QD-C</u>	4-Way, 3-Position Detented Valve, Closed Center

MMV-L4QD/MMV-L4QM



MMV-L4QM-C



## Did you know...

Clippard Instrument Laboratory, Inc. began as a manufacturer of radio coils and test instruments in 1941.